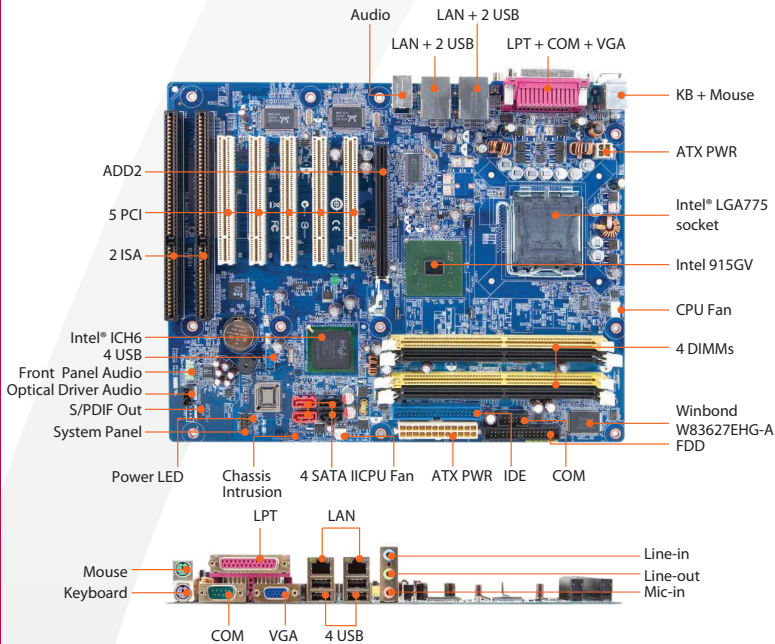


BC915GV

Intel® 915GV with Pentium® 4/ Celeron® D ATX Motherboard



Features

- Socket 775 supports Intel® Pentium® 4/ Celeron® D CPU with 90nm process technology
- Intel® 915GV + ICH6 Chipset
- Four 240-pin DIMMs up to 4GB dual channel DDR2 667 SDRAM
- Intel® Graphics Media Accelerator 900
- Realtek ALC888 supports 5.1 + 2 Channel HD Audio
- Dual Realtek RTL8110SC Gigabit LAN
- 1 PCI-E x 16 for ADD2 Card, 5 PCI, 2 ISA
- 2 COM, 8 USB 2.0, 4 SATA II

| | | | |
|---------------|------------------|-----|-----|
| Intel GMA 950 | PCI-E x 16 | PCI | ISA |
| Dual GbE LAN | 5.1 + 2 CH Audio | | |

Specifications

| System | |
|---------------------------|---|
| CPU | Intel® LGA775 socket supports Pentium® 4/ Celeron® D CPU with 90nm process technology |
| FSB | 800/533 MHz |
| BIOS | Award 4Mb Flash ROM BIOS |
| System Chipset | Intel 915GV + ICH6 Chipset |
| I/O Chip | Winbond W83627EHG-A |
| System Memory | Four 240-pin DIMM socket support up to 4GB dual channel DDR2 667/533/400MHz SDRAM |
| Watchdog Timer | Reset : 1 to 255 sec/min per step |
| H/W Status Monitor | Monitoring temperature, voltage, and cooling fan status. Auto throttling control when CPU overheats |
| Power State | S1, S3, S4, S5 |
| SmartFan Control | Yes |
| Expansion | 1 PCI-E x 16 (supports ADD2 Card only), 5 PCI slots (PCI Rev. 2.2 compliant), 2 ISA slots |

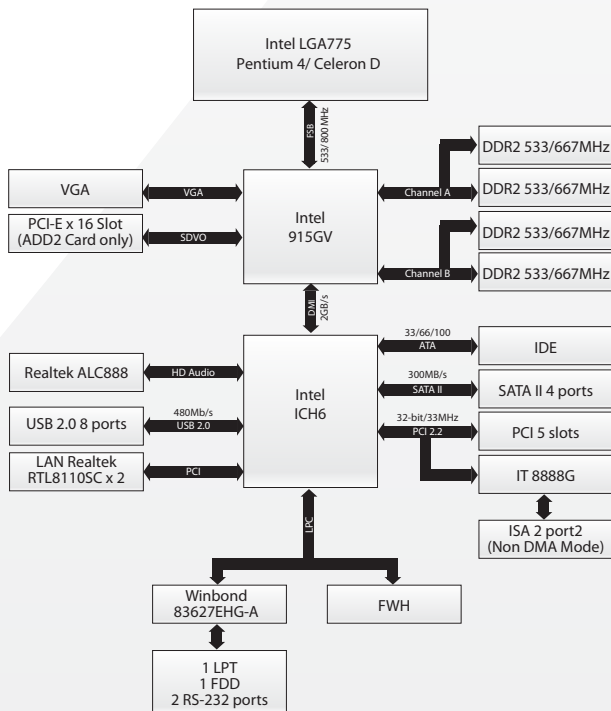
| I/O | |
|------------|---|
| MIO | 1 IDE, 4 SATA II, 1 FDD, 1 LPT, 2 COM RS-232, 1 Keyboard, 1 Mouse |
| USB | 8 USB 2.0 |

| Display | |
|---------------------------|--|
| Chipset | Intel® 915GV integrated Graphics Media Accelerator 900 |
| Display Memory | Intel DVM T 3.0 supports 128MB video memory |
| Max. Resolution | 2048 x 1536 (@75Hz) |
| VGA | On board |
| LVDS | Through ADD2 LVDS Card |
| DVI | Through ADD2 DVI Card |
| 2nd VGA | Through ADD2 VGA Card |

| Audio | |
|------------------------|---------------------------------------|
| Audio Codec | Realtek ALC888, 5.1 + 2 CH HD Audio |
| Audio Interface | Line-in, Line-out, Mic-in, S/PDIF Out |

| Ethernet | |
|--------------|-------------------------------|
| LAN 1 | Realtek RTL8110SC Gigabit LAN |
| LAN 2 | Realtek RTL8110SC Gigabit LAN |

Block Diagram



Back Panel I/O Port

- 1 PS/2 Keyboard
- 1 PS/2 Mouse
- 1 LPT
- 1 COM RS-232 Port
- 1 VGA Port
- 2 LAN RJ45 Ports
- 4 USB Ports
- Audio I/O (3 jacks)

Internal I/O Connector

- 2 USB Connectors support 4 USB Ports
- 1 FDD Connector
- 1 IDE Connector for two devices
- 1 Chassis Intrusion Connector
- 1 CD Audio-in Connector
- 4 SATA Connectors
- 1 Front Panel Audio Connector
- 1 S/PDIF Connector
- 1 System Panel Connector
- 1 CPU Fan Connector
- 2 System Fan Connectors

Ordering Information

BC915GV

- 90A-915GV0-10000B2
- BC915GV R10 ATX STD LGA775
- 90A-915GV0-100P0B2
- BC915GV R10 ATX BULK LGA775

Product Offering

until 2012

Packing List

| | |
|------------------|----|
| COM Cable | x1 |
| SATA Data Cable | x1 |
| SATA Power Cable | x1 |
| FDD Cable | x1 |
| IDE Cable | x1 |
| I/O Shield | x1 |
| Driver CD | x1 |
| Startup Manual | x1 |

Optional Accessory

| | |
|----------------|-----------------------|
| 14GS0300020V04 | USB Cable w/ Bracket |
| 14GS0300021V04 | USB Cable w/o Bracket |

Mechanical & Environmental

| | | | | |
|------------------------------|---|-------|-------|-------|
| Power Requirement | +12V | +5V | +3.3V | 5VSB |
| | 8.16A | 5.51A | 1.11A | 952mA |
| Power Type | ATX | | | |
| Power Connector | 1 20-pin ATX Power Connector 1 4-pin ATX 12V Power Connector | | | |
| Operating Temperature | 0 to 60°C (32 to 140°F) | | | |
| Operating Humidity | 0% to 90% relative humidity, non-condensing | | | |
| Size (L x W) | 12" x 9.6" (304.8 mm x 243.84 mm) | | | |
| Weight | 1.32 lbs (0.6 Kg) | | | |