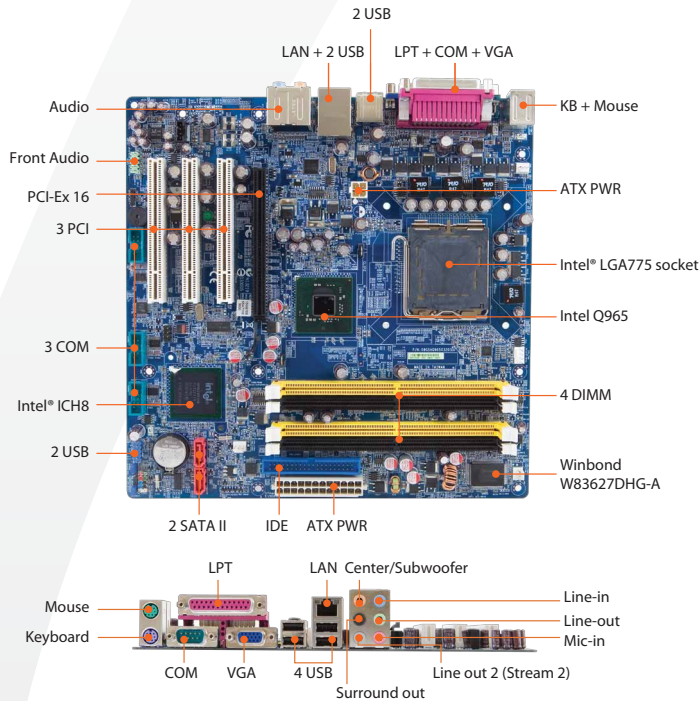


MX965Q2

Intel® Q965 with Core™2 Quad Micro-ATX Motherboard



Features

- Socket 775 supports Intel® Core™2 Quad FSB 533/ 800/ 1066MHz CPU
- Intel® Q965 + ICH8 Chipset
- Four 240-pin DDR2 DIMM 533/ 667/ 800MHz, up to 8GB
- Intel Graphic Media Accelerator 3000
- Realtek ALC888, 5.1 + 2 Channel with 2 independent HD Streaming Audio
- Realtek RTL8111B Gigabit LAN
- 1 PCI-E x 16, 3 PCI 2.3, 2 IEEE 1394a
- 4 COM RS-232, 6 USB 2.0, 2 SATA II, 1 LPT
- Onboard Infineon 9635TT supports TPM 1.2
- 5W+5W Audio AMP embedded

Intel GMA 3000	PCI-E x 16	PCI	IEEE1394a (optional)
TPM 1.2	5.1 + 2 CH HD Audio	5W + 5W AMP	GbE LAN

Specifications

System

CPU	Intel® LGA775 socket supports Core™2 Quad/ Core™2 Duo/ Core™ Duo/ Pentium® 4/Celeron® with 65nm process technology
FSB	1066/800/533 MHz
BIOS	Award 16 Mb SPI BIOS
System Chipset	Intel® Q965 + ICH8 Chipset
I/O Chip	Winbond W83627DHG-A
System Memory	Four 240-pin DIMM sockets support up to 8GB dual channel DDR2 800/667/533 SDRAM
Watchdog Timer	Reset : 1 to 255 sec/min per step
H/W Status Monitor	Monitoring temperature, voltage, and cooling fan status. Auto throttling control when CPU overheats
Expansion	1 PCI-E x 16, 3 PCI 2.3
TPM	Onboard TPM 1.2 by Infineon SLB9635
Power State	S1, S3, S4
Wake up on LAN or Ring	LAN (PXE) and Ring
SmartFan Control	Yes

I/O

MIO	1 IDE, 2 SATA II, 4 COM RS-232, 1LPT, 1 PS/2 Keyboard, 1 PS/2 Mouse
USB	6 USB 2.0
FireWire	LSI FW322 supports 2 IEEE 1394a Ports (optional)

Display

Chipset	Intel Q965 integrated Graphic Media Accelerator 3000
Display Memory	Intel DVM T 4.0 supports 256 MB video memory
Max. Resolution	2048 x 1536 (@75Hz)
VGA	On board
LVDS	Through ADD2 LVDS Card
DVI	Through ADD2 DVI Card
2nd VGA	Through ADD2 VGA Card

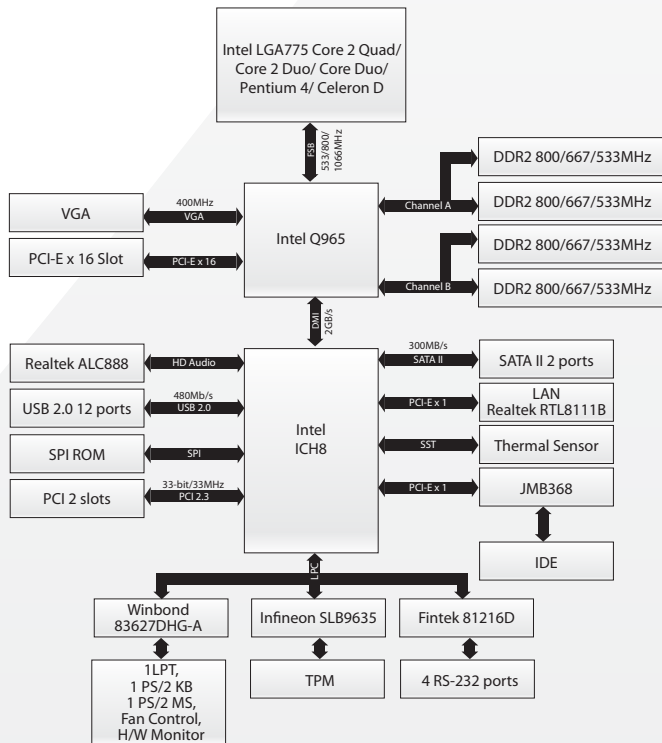
Audio

Audio Codec	Realtek ALC888, 5.1 + 2 CH HD Audio
Audio Interface	Line-in, Line-out, Mic-in, CD Audio-in, Side/Rear Speaker-out (6 jacks)

Ethernet

LAN	Realtek RTL8111B Gigabit LAN
------------	------------------------------

Block Diagram



Back Panel I/O Port

- 1 PS/2 Keyboard
- 1 PS/2 Mouse
- 1 VGA Port
- 1 LPT Port
- 1 COM RS-232 Port
- 1 LAN RJ45 Port
- 4 USB Ports
- Audio I/O (6 jacks)

Internal I/O Connector

- 1 USB Connector supports 2 USB Ports
- 1 IDE Connector for two devices
- 3 COM RS-232 Connectors
- 1 Chassis Intrusion Connector
- 1 CD Audio-in Connector
- 2 SATA Connectors
- 1 Front Panel Audio Connector
- 1 S/PDIF Out Connector
- 1 System Panel Connector
- 1 CPU Fan Connector
- 1 System Fan Connector
- 1 Power Fan Connector

Ordering Information

MX965Q2

90M-Q96503-10000B2

MX965Q R10 LGA775 Micro-ATX

Product Offering

until 2014

Packing List

SATA Data Cable	x 2
SATA Power Cable	x 2
COM Cable	x 3
IDE Cable	x 1
FDD Cable	x 1
I/O Shield	x 1
Driver CD	x 1
Startup Manual	x 1

Optional Accessory

14GS0300020V04	USB Cable w/ Bracket
14GS0300021V04	USB Cable w/o Bracket
14GS1400009V04	COM Cable w/ Bracket

Mechanical & Environmental

Power Requirement	+12V	+5V	+3.3V	5VSB
	4.22A	6.42A	2.41A	0.72A

Power Type ATX

Power Connector
1 24-pin ATX Power Connector
1 4-pin ATX 12V Power Connector

Operating Temperature
0 to 50°C (32 to 122°F)

Operating Humidity
0% to 90% relative humidity, non-condensing

Size (L x W)
9.6" x 9.6" (243.84 mm x 243.84 mm)

Weight
0.88 lbs (0.4 Kg)