

NX700CXM

VIA CX700M Nano-ITX Motherboard

Startup Manual

Packing List

Before you begin installing your single board, please make sure that the following parts have been shipped.

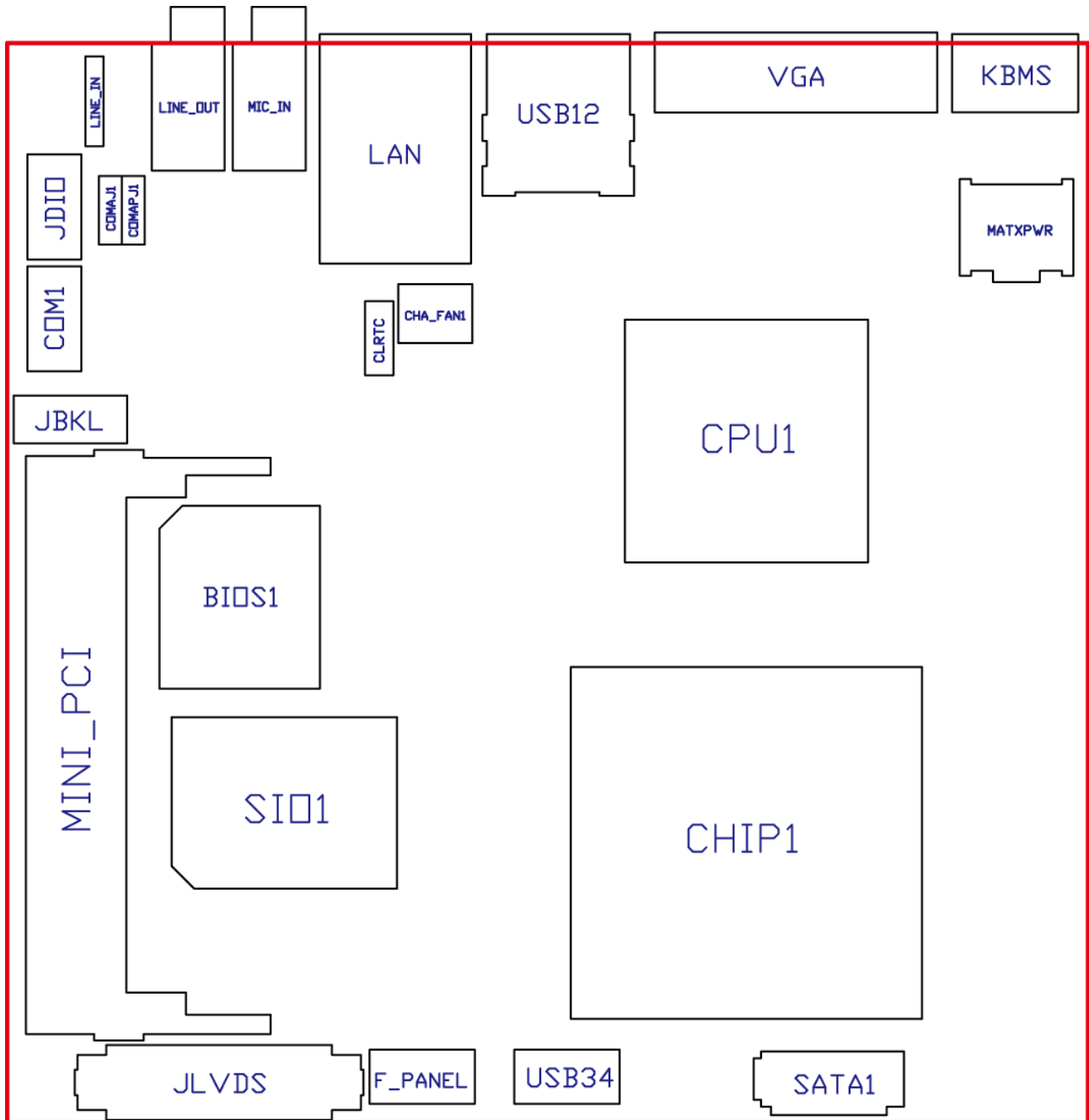
- 1 x TC2220-CX700M NanoITX Main board
- 1 x CD-ROM contains the followings:
 - User's Manual in PDF file
 - Drivers
- 1 x KB/MS cable
- 1 x COM cable
- 1 x SATA cable kit (SATA/Power)
- 1 x 6 to 20 pin ATX power cable
- 1 x Startup Manual

Disclaimer and Notice



The manufacturer reserves the right to make changes, without notice, to any product, including circuits and/or software described or contained in this manual in order to improve design and/or performance. The manufacturer assumes no responsibility or liability for the use of the described product(s), conveys no license or title under any patent, copyright, or masks work rights to these products, and makes no representations or warranties that these products are free from patent, copyright, or mask work right infringement, unless otherwise specified. For the detail product information, please refer to user's manual.

Product Overview





Specifications

System

CPU	VIA Eden 1GHz fanless / C7 1.5GHz with fan(Optional)
FSB	400 MHz
BIOS	Award 4 Mb Flash ROM BIOS
System Chipset	VIA CX700M
I/O Chipset	Winbond W83627DHG-A
Memory	1 x 200-pin SODIMM 1 GB DDR2 400 SDRAM
Watchdog Timer	Reset: 1 sec.~255 min. and 1 sec. or 1 min./step
H/W Status Monitor	Monitoring CPU temperature, voltage, and cooling fan status. Auto throttling control when CPU overheats

System	
Expansion Slots	1 x Mini PCI, 1 x Type I/II CF
DIO	8-bit General Purpose I/O for 4 DI and 4 DO
S3/S4	Yes
Wake up on LAN or Ring	Both (PME / RPL / WOR)
Smart Fan Control	Yes , support 3 modes (Silent/Optimal/Performance)
Display	
Chipset	Integrated VIA UniChrome Pro II 3D/2D AGP graphics with MPEG-2/4 and WMV9 accelerator
Display Memory	VIA S3 UniChrome Pro II 3D Graphic Engine Shared system memory up to 128MB I/O
Max Resolution	2048x1536 @75Hz
Dual Display	Yes(VGA+LVDS)
Networking	
LAN1	Realtek RTL 81110SC Gigabit LAN
Audio	
Audio Codec	Realtek® ALC888, support 2 channel
Audio Interface	Mic in , Line out , Line in pin header
I/O Port	
Back Panel I/O Port	1X PS2(KB+MS), 1 x VGA port, 2 x USB 2.0/1.1, 1 x LAN RJ45 port, 1 x Audio Mic in (1 jack), 1 x Audio Line out (1 jack)
Front Panel I/O port	2 x USB 2.0/1.1
Internal I/O	1 x USB connector support additional 2 USB ports, 1 x Front Panel connector 1 x 6-pin ATX Power connector, 1 x COM port pin header, 1 x Line in connector 1 x LVDS connector, 1 x LCD backlight power connector, 1 x CPU Fan connector, 1 x GPIO connector, 1 x SATA II connector
Mechanical & Environmental	
Power Type	6 pin ATX or (option DC-DC power board)
Operating Temperature	0 - 60°C (32-104°F)
Operating Humidity	0%~90% relative humidity, non-condensing
Size (L x W)	4.72" x 4.72" (120 mm x 120 mm)

Jumpers			
Label	Function	Note	
CLRTC	Clear CMOS	Normal *	Clear CMOS
			
COMAPJ1	COM1 +5V/+12V Selection	+12V	+5V
		