

# iX965GME

Intel® GM965 socket P Core™ 2 Duo / Core™ Duo /  
Core™ 2 Solo /Core™ Solo mobile CPU Mini ITX Main  
Board

## Startup Manual

### Packing List

Before you begin installing your single board, please make sure that the following parts have been shipped.

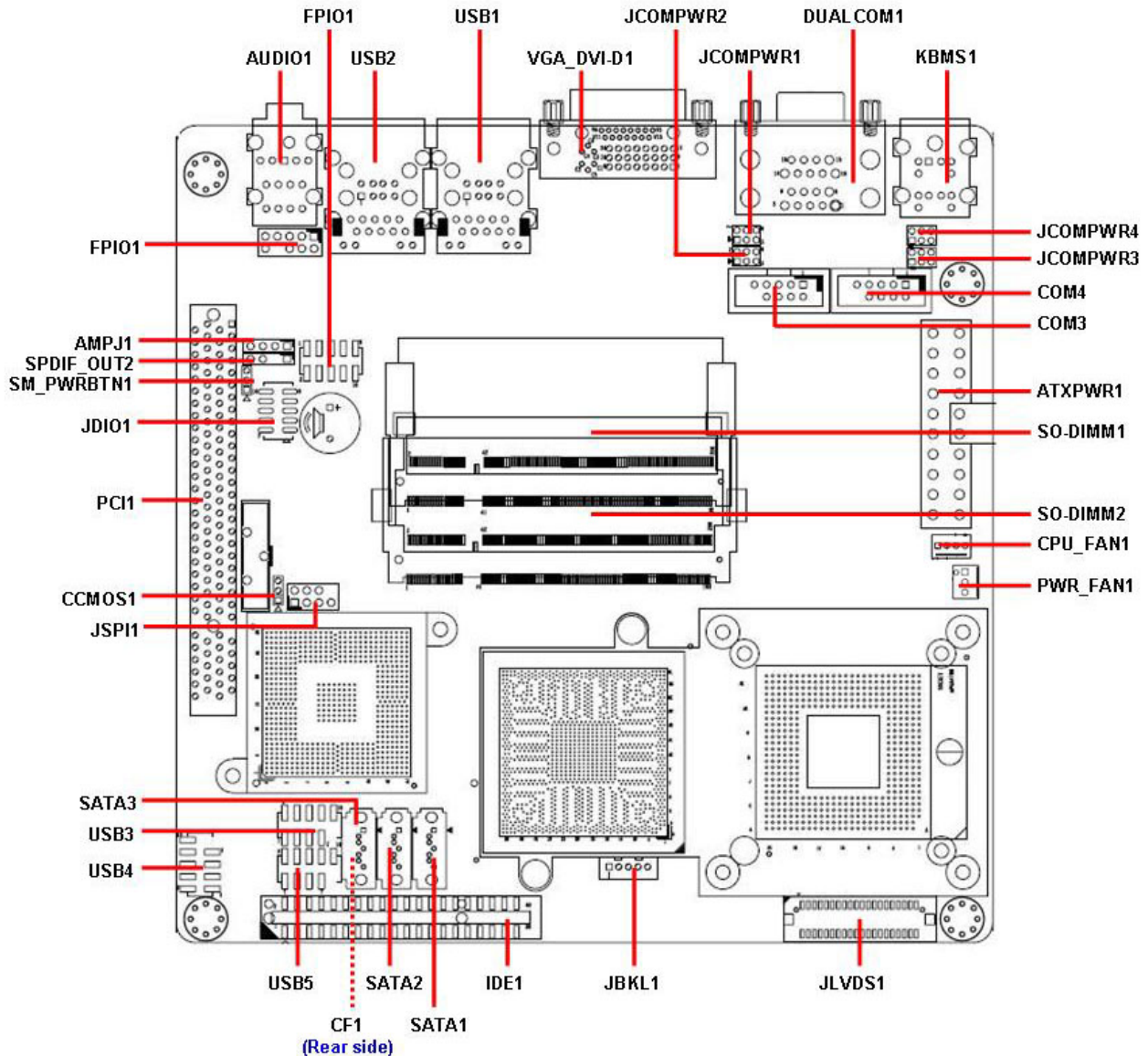
- 1 x Intel GM965 Mini ITX Main board
- 1 x CD-ROM contains the followings:
  - User's Manual in PDF file
  - Drivers
- 2 x COM cable
- 3 x SATA cable kit (SATA/Power)
- 1 x IDE HDD cable (40-pin)
- 1 x Startup Manual

### Disclaimer and Notice



The manufacturer reserves the right to make changes, without notice, to any product, including circuits and/or software described or contained in this manual in order to improve design and/or performance. The manufacturer assumes no responsibility or liability for the use of the described product(s), conveys no license or title under any patent, copyright, or masks work rights to these products, and makes no representations or warranties that these products are free from patent, copyright, or mask work right infringement, unless otherwise specified. For the detail product information, please refer to user's manual.

## Product Overview



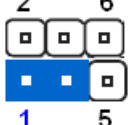
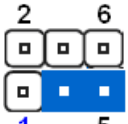
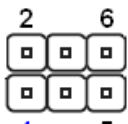
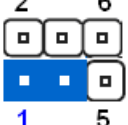
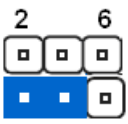
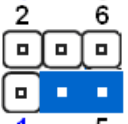


## Specifications

### System

|                           |   |
|---------------------------|---|
| <b>CPU</b>                | Supports Intel socket P Core 2 Duo / Core Duo / Core 2 Solo / Core Solo mobile CPU with 65nm process technology |
| <b>FSB</b>                | 533/800 MHz   |
| <b>BIOS</b>               | AMI 16 Mb SPI BIOS  |
| <b>System Chipset</b>     | Intel GME965/ICH8M  |
| <b>I/O Chipset</b>        | Winbond W83627DHG-A   |
| <b>Memory</b>             | 2 x 200-pin SODIMM socket supports up to 4 GB Dual channel DDR2 533/667 SDRAM                                   |
| <b>SSD</b>                | One CompactFlash Type I/II socket   |
| <b>Watchdog Timer</b>     | Reset: 1 sec.~255 min. and 1 sec. or 1 min./step  |
| <b>H/W Status Monitor</b> | Monitoring CPU temperature, voltage, and cooling fan status. Auto throttling control when CPU overheats         |
| <b>Expansion Slots</b>    | 1 x PCI slot (PCI Rev.2.2 compliant) supports 3 PCI master  |
| <b>S3</b>                 | S3 Support  |
| <b>SmartFan Control</b>   | Yes   |

| I/O                              |   |
|----------------------------------|---|
| <b>MIO</b>                       | 1 x EIDE, 3 x SATA, 10 x USB, 4 x RS-232, 1 x K/B, 1 x Mouse (COM1~4 with power output) |
| <b>USB</b>                       | 10 x USB 2.0 ports  |
| <b>DIO</b>                       | 8-bit General Purpose I/O for DI and DO   |
| Display                          |   |
| <b>Chipset</b>                   | Intel Graphics Media Accelerator X3100  |
| <b>Display Memory</b>            | Intel DVM T 4.0 supports 384 MB video memory  |
| <b>Resolution</b>                | 2048 x 1536 @ 32 bpp(@ 60Hz)  |
| <b>Dual Display</b>              | CRT + LVDS, or CRT + DVI-D  |
| <b>LVDS</b>                      | Dual-channel 24-bit LVDS  |
| <b>DVI / Onboard DVI Chipset</b> | Chrontel CH7307C DVI transmitter up to 165M pixels/second                               |
| Audio                            |   |
| <b>Audio Codec</b>               | Realtek ALC888 Audio Code<br>5.1+2 CH. with two independent audio stream                |
| <b>Audio Interface</b>           | Mic in, Line in, Line out   |
| <b>Audio Amplifier</b>           | TPA3005D2 Stereo 5Watt per channel  |
| Ethernet                         |   |
| <b>LAN1</b>                      | Realtek RTL8111B PCI-E Gigabit Ethernet Controller                                      |
| <b>LAN2</b>                      | Realtek RTL8111B PCI-E Gigabit Ethernet Controller (optional)                           |

| Jumpers  |  |   |   |
|--|--|---|---|
| Label  | Function   | Note  |   |
| <b>CCMOS1</b>  | Clear CMOS   | <b>Normal *</b>   | <b>Clear CMOS</b>   |
|  |  |   |    |
| <b>JCOMPWR1, JCOMPWR2</b><br>or<br><b>JCOMPWR3, JCOMPWR4</b> | COM1 RI/+5V/+12V Selection<br><br>COM3 RI/+5V/+12V Selection | <b>+5V (Default)</b>  | <b>+12V</b>   |
|  |  | <br><br> | <br><br> |

| Jumpers   |  |   |
|---|--|---|
| Label   | Function   | Note  |
| JCOMPWR1,<br>JCOMPWR2,<br>or<br>JCOMPWR3,<br>JCOMPWR4 | COM2 RI/+5V/+12V Selection<br><br>COM4 RI/+5V/+12V Selection | <div style="display: flex; justify-content: space-around;"> <div style="text-align: center;"> <p><b>JCOMPWR1</b></p> <p><b>JCOMPWR3</b></p> <p><b>+5V</b><br/>(Default)</p> </div> <div style="text-align: center;"> <p><b>JCOMPWR2</b></p> <p><b>JCOMPWR4</b></p> <p><b>+12V</b></p> </div> <div style="text-align: center;"> <p><b>Ring</b></p> </div> </div> |
| SM_PWRBTN1  | SM Power Connector   | <div style="display: flex; justify-content: space-around;"> <div style="text-align: center;"> <p><b>ATX Mode (Default)</b></p> </div> <div style="text-align: center;"> <p><b>AT Mode</b></p> </div> </div>   |

| Connectors |                        |      |
|------------|------------------------|------|
| Label      | Function               | Note |
| AMPJ1      | Amplifier Connector    |      |
| FPIO1      | System Panel Connector |      |
| JBKL1      | LCD Inverter Connector |      |
| JLVDS1     | LVDS Connector         |      |